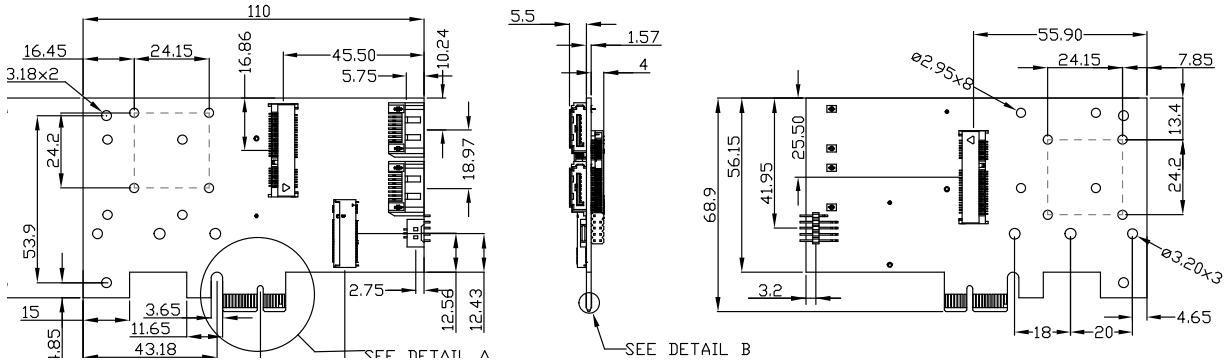


Features

- Supports low profile/standard PCIe form factor.
- Supports external SATA III and USB 2.0 signal to mSATA & M.2 2242/2260/2280 slot. (Front side).
- Supports mSATA converted from PCIe signal(Backside).
- 30μ" golden finger, 3 years warranty.
- Industrial design. Manufactured in innodisk Taiwan.

Mechanical Drawing



Specifications

Headquarters (Taiwan)

5F., No. 237, Sec. 1, Datong Rd.,
Xizhi Dist., New Taipei City 221,
Taiwan
Tel: +886-2-77033000
Email: sales@innodisk.com

Branch Offices:

USA

usasales@innodisk.com
+1-510-770-9421

Europe

eusales@innodisk.com
+31-040-282-1818

Japan

jpsales@innodisk.com
+81-45-594-7581

China

sales_cn@innodisk.com
+86-755-21673689

Form-Factor	Standard PCIe
Input I/F	PCIe Gen 1, SATA III, USB 2.0
Output I/F	USB 2.0, SATA III(frontside), SATA II(backside)
Output Connector	mSATA x 2(Front and Back), M.2 x 1(2242/2260/2280)
TDP	TBD
Dimension (WxLxH)	110 x 68.9 x 12.3mm.
Temperature	Operation: STD: 0°C ~ +70°C
Environment	Vibration: 5G @7~2000Hz, Shock: 50G @ 0.5ms
Notes	Please download driver from Myinnodisk website.

www.innodisk.com

© 2015 Innodisk Corporation.
All right reserved. Specifications
are subject to change without
prior notice.

July 27, 2015